

TECHNICAL SPECIFICATIONS – MultiFlash Rayzr Q+ 0.5m

WEIGHT / DIMENSIONS

Length 498 mm
Width 41 mm
Height (w/yoke) 201 mm
Weight 2.2 kg

POWER

Operating Voltage 100-240VAC 50/60Hz
Fuse 2A 250V slow-blow (5x20 mm)
Power Consumption 200 W

LIGHT SOURCE

LEDs 18 10W RGBW Cree LEDs, divided into 6 segments
Color RGBW
Beam spread 36°

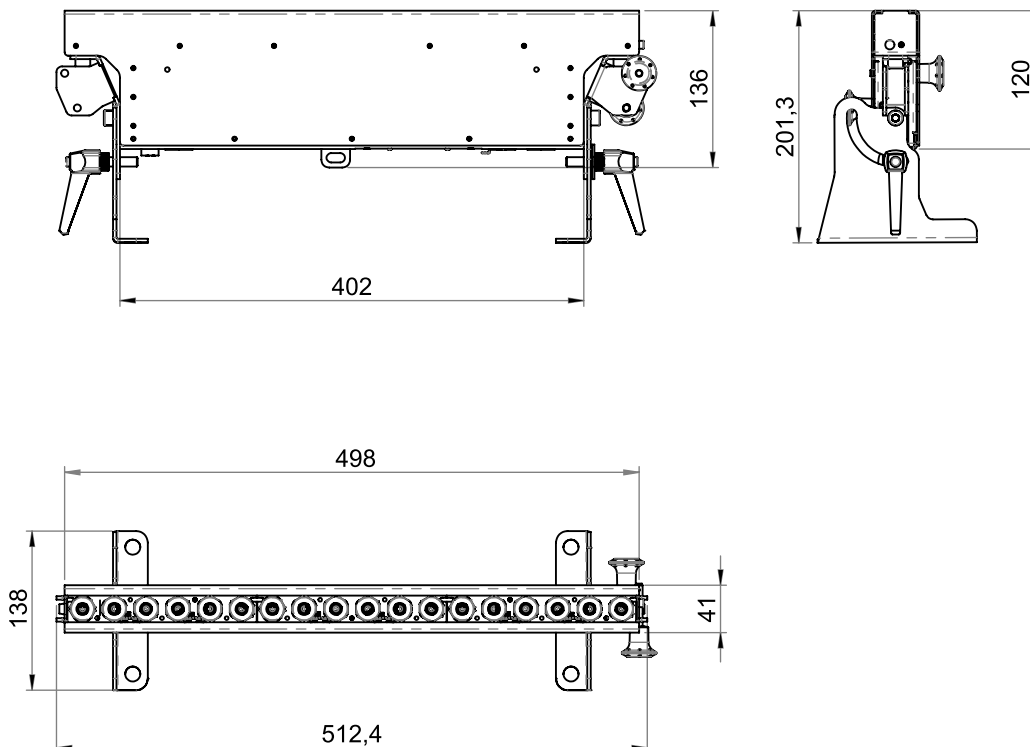
THERMAL

Max. ambient temperature +104 °F (+40 °C)
Min. ambient temperature -13 °F (-25 °C)
Cooling air cooled – fan

CONTROL / PROGRAMMING

DMX input locking 5-pin XLR male socket
DMX output locking 5-pin XLR female socket
DMX pin config. pin 1 shield, pin 2 (-), pin 3 (+), pin 4 n/a, pin 5 n/a
Control RDM, DMX-512, Demo, Manual mode

Power Connector Input, output: PowerCon 20A



TECHNICAL SPECIFICATIONS – MultiFlash Rayzr Q+ 1m

WEIGHT / DIMENSIONS

Length 498 mm
Width 41 mm
Height (w/yoke) 201 mm
Weight 4,1 kg

POWER

Operating Voltage 100-240VAC 50/60Hz
Fuse..... 2A 250V slow-blow (5x20 mm)
Power Consumption 200 W

LIGHT SOURCE

LEDs..... 18 10W RGBW Cree LEDs, divided into 6 segments
Color RGBW
Beam spread 36°

THERMAL

Max. ambient temperature.....+104 °F (+40 °C)
Min. ambient temperature.....-13 °F (-25 °C)
Cooling air cooled – fan

CONTROL / PROGRAMMING

DMX input locking 5-pin XLR male socket
DMX output locking 5-pin XLR female socket
DMX pin config. pin 1 shield, pin 2 (-), pin 3 (+), pin 4 n/a, pin 5 n/a
Control RDM, DMX-512, Demo, Manual mode

Power Connector Input, output: PowerCon 20A